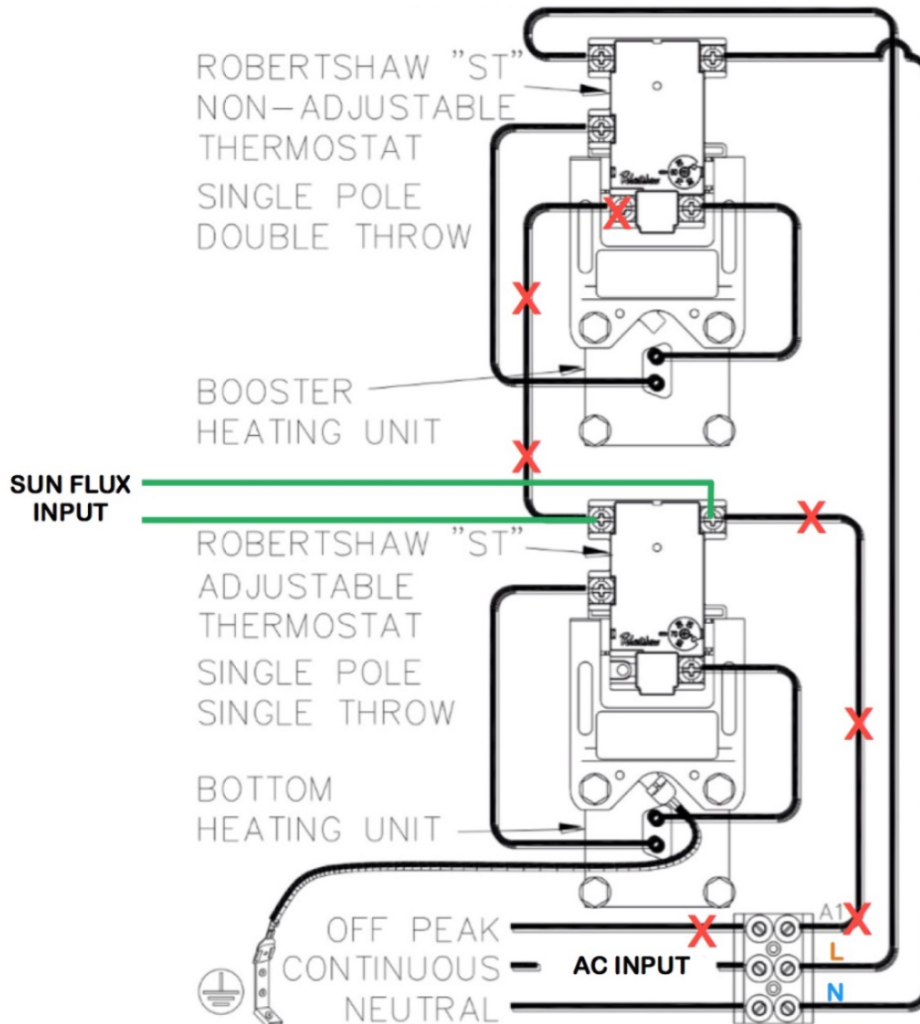


REMOVE ALL WIRE'S MARKED WITH A RED CROSS AND ADD THE TWO WIRE'S FROM THE SUN FLUX MARKED IN GREEN FOR HYBRID CONFIGURATION WITH AC GRID AS BACK UP ON UPPER ELEMENT



Ensure there is no connection between upper and lower elements.

AC only to upper element. Sun Flux only to lower element.

When installing to a twin element tank there is no AC connection to the Sun Flux hot water controller and the AC input gland must be plugged with plug provided.